

PPC10 p1r

› 10.4" Intel® Celeron Fanless Panel PC



Features



- Intel® Celeron® N3350 / Celeron® J3455
- Fanless and quiet design
- Two or four LAN ports
(2 x GIGA LAN with optional 2 x (PoE) GIGA LAN)
- Supports DC 12V and 16~24V power input
- Aluminum front bezel and IP65 design
- 5-wire resistive or projected capacitive touchscreen

Specifications



System

CPU Type	Intel® Celeron® N3350 2C, 2.4GHz Intel® Celeron® J3455 4C, 2.3GHz
Chipset	Intel® SoC
Memory Support	1 x DDR3L SO-DIMM socket (up to 8GB)
Watchdog	1~255 seconds watchdog timer selectable
Storage	1 x 2.5" SATA HDD or SSD
Front Bezel	Aluminum
Waterproof	IP65 (for front panel only)
Power Input	Supports DC 12V and 16~24V power input
Operating System	Windows 10 IoT LTSC 2019 64bit / Ubuntu 16.04 LTSB
Dimensions	260 x 216 x 74 mm (W x H x D)
System Weight	4 kg
Mounting Support	Wall mount / VESA 75 / Panel mount
Certifications	FCC / CE

Display

LCD	10.4" 350nits XGA TFT LCD (LED), optional 1200nits XGA TFT LCD
Touch Screen	5-wire resistive touchscreen / Projected capacitive touchscreen

Applications

- Automation
- Retail
- Food Service
- Banking
- Information

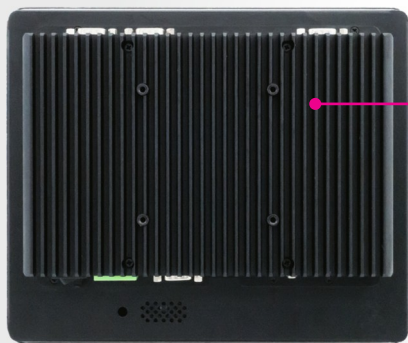
I/O Ports

Display	1 x HDMI
USB	4 x USB 3.0
Audio	N/A
LAN	Dual LAN (2xRJ45 on Rear I/O) Supports Wake-On-LAN Controller: 2 x Intel I210-IT (MAC+PHY, PCIe interface)
Serial Ports	4 ports (internal pin header) COM 1: RS-232 COM 2: RS-232/422/485 selectable under BIOS (Default: RS-232) COM 3: RS-232 w/ RI/5V/12V (Default jumper setting: RI) COM 4: RS-232 w/ RI/5V/12V (Default jumper setting: RI) p/s COM 3/COM 4 current limit 1A @12V
Storage	1 x 2.5" SATA III HDD or SSD drive space
Expansion Slots	1 x full-sized mSATA (with SATA and USB signal) 1 x full-sized mPCIe (with PCIe and USB signal)
Antenna Hole	4 x antenna holes (Optional Flat antenna)
Power On/Off	1 x power button
LED	1 x HDD (pin header) 1 x power LED (pin header)

Environment

Operating Temp.	0°C~60°C (32°F~140°F) (Ambient with airflow)
Storage Temp.	-40°C~85°C (-40°F~185°F)
Humidity	10%~90%

Highlights



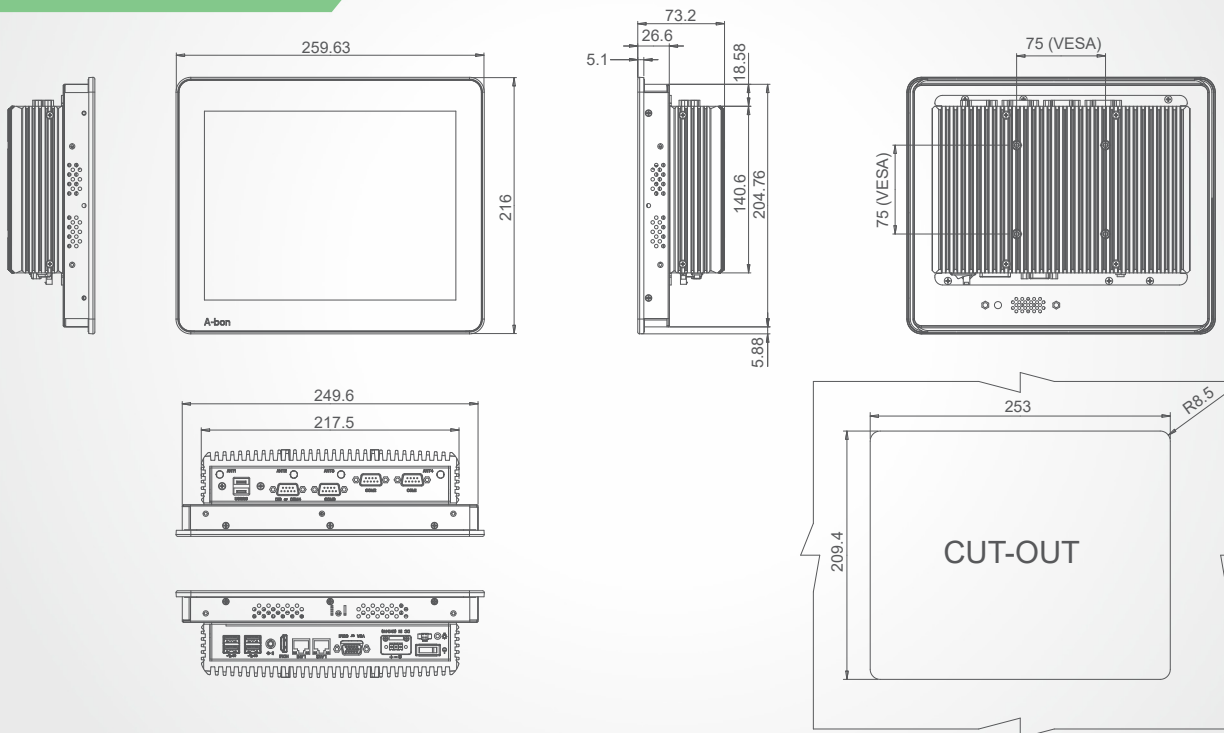
1 x mini PCIe & 1 x mSATA



I/O Panel View



Dimensions



unit: mm