

# EBC11

› Fanless Embedded PC 12V / DP  
Intel® Atom™ / Celeron® N3350 / Pentium® N4200



## Features



- Intel® N3350 / N4200 SoC
- Fanless and slim design
- 2 x LAN, 6 x USB, 4 x COM, 1 x VGA, 1 x DP
- Supports 1 x 2.5" HDD, 1 x full-sized mSATA

## Specifications



### System

CPU Support	Intel® Celeron® N3350: 6w, 2C, 2.4GHz Intel® Pentium® N4200: 6w, 4C, 2.5GHz
Memory Support	1 x SO-DIMM socket, supporting 1600/1866MHz DDR3L memory up to 8G (non-ECC)
API/SW/FW	Watchdog / HW monitor / fTPM
Storage Support	2.5" 7mm SATAIII HDD or SSD drive space
Power Input	DC 12V only
Power Adapter	60W adapter w/ lockable 3 pin terminal block (optional)
Operating System	Windows 10 64bit / Ubuntu17.04 (kernel: 4.4) / Android (TBD)
Expansion Slots	1 x full-sized mSATA slot (with SATA and USB signal) 1 x full-sized mPCIe slot (with PCIe and USB signal)
System Weight	2 kg
Dimensions	218 x 45 x 148 mm (W x H x D)
Certifications	FCC / CE

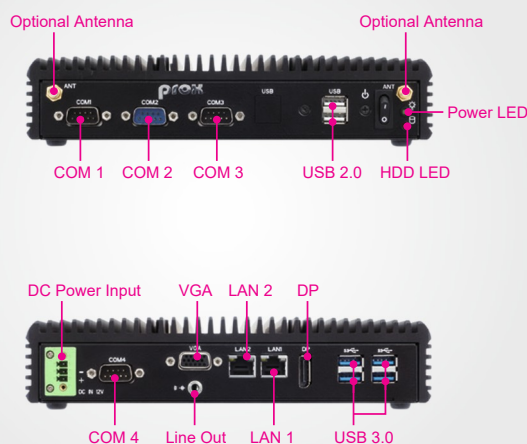
### I/O Ports (Front side)

USB	2 x USB 2.0
Serial Ports	COM 1: RS232 COM 2: RS232/422/485 (selectable under BIOS) COM 3: RS232 with RI/5V/12V selectable by jumper
LED	1 x power LED, 1 x HDD LED
Antenna Hole	2 x antenna holes (supports up to two optional antenna)
Power On/Off	1 x power button

### I/O Ports (Rear side)

Power Input	3 pin DC In terminal block (lockable), supporting 12V DC In
Serial Ports	COM 4: RS232 with RI/5V/12V selectable by jumper
Display	1 x VGA, 1 x DP
LAN	2 x LANs (supports Wake-On-LAN) LAN 1: Intel® I210 LAN 2: Intel® I210
Audio	1 x Line Out
USB	4 x USB 3.0

## System Front View & Rear View



## Environment

Operating Temp.	0°C~40°C (32°F~104°F) (Ambient with airflow)
Storage Temp.	-40°C~85°C (-40°F~185°F)
Humidity	20%~90%

## Applications

- Automation
- Retail
- Transportation
- Information